

c.LOGiC lite-Interface

C1-MFD3-R3

Compatible with navigation systems

Volkswagen RNS510, RNS810

Skoda Columbus

Seat Trinax

Only for vehicles WITH factory rear-view camera WITH camera control-box

Product features

- full plug and play multimedia interface
- 1 AV-input with separate IR-control channel
- control of after-market devices, e.g. DVB-T tuner, DVD-player, DVD-changer, ...
- automatic switching to rear-view camera input
- power on remote out trigger signal (+12V max. 1A) to switch on connected devices
- video-in-motion

Contents

1. Prior to Installation

- 1.1. Delivery contents
- 1.2. Check compatibility of vehicle and accessories
- 1.3. Setting the dip switches of the CAN-box TV-403/500

2. Connection schema

3. Installation

- 3.1. Interconnecting Interface-box, CAN-box and harness
- 3.2. Connections to head-unit
- 3.3. Connections to camera control-box
- 3.4. Connecting peripheral devices
 - 3.4.1. AV-source
 - 3.4.2. Installing AV-source's IR-sensor additionally

4. Operation

- 4.1. Activation of the video-in-motion function
- 4.2. Selecting the c.LOGiC as current AV-source
- 4.3. Assigning device control
- 4.4. Remote functions
 - 4.4.1. Previous/next channel/track
 - 4.4.2. Other remote functions
 - 4.4.3. Menu/setup navigation

5. Specifications

6. Connections (Interface-box)

7. Technical support

Appendix A – Device control table

Legal Information

By law, watching moving pictures while driving is prohibited, the driver must not be distracted. We do not accept any liability for material damage or personal injury resulting, directly or indirectly, from installation or operation of this product. This product should only be used while standing or to display fixed menus or rear-view-camera video when the vehicle is moving, for example the MP3 menu for DVD upgrades.

Changes/updates of the vehicle's software can cause malfunctions of the interface. We offer free software-updates for our interfaces for one year after purchase. To receive a free update, the interface must be sent in at own cost. Labor cost for and other expenses involved with the software-updates will not be refunded.

1. Prior to installation

Read the manual prior to installation. Technical knowledge is necessary for installation. The place of installation must be free of moisture and away from heat sources.

1.1. Delivery contents

Take down the SW-version and HW-version of the interface boxes, and store this manual for support purposes.

Interface-box
C1C-M03

HW _____ SW _____



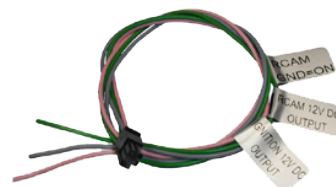
CAN-box
TV-403/500

HW _____

SW _____



Harness
C1C-VNR



Harness
TV-VN02



If remote function for the connected devices shall be used, additional an IR-remote cable and Y-adapter are needed, see chapter [AV-source](#) .

1.2. Check compatibility of vehicle and accessories

Requirements	
Vehicle	Volkswagen, Skoda and Seat With factory rear-view camera with camera control-box
Navigation	MFD3/RNS510, RNS810, Trinax or Columbus navigation
Limitations	
Factory-TV-tuner	Must NOT be installed.

1.3. Setting the dip switches of the CAN-box TV-403/500

TV-403

All vehicles	dip 1 ON, dip 2 OFF, dip 3 OFF
--------------	--------------------------------



TV-500

Vehicle/ navigation	Dip 1	Dip 2	Dip 3	Dip 4	Dip 5	Dip 6
Video-in-motion permanent	ON	OFF	OFF	OFF	OFF	OFF
Video-in-motion selective*	OFF	OFF	OFF	OFF	OFF	OFF

* With dip1 to OFF the included green cable is used to activate the video-in-motion function.

Note: Dip switch functions of the TV-500

Dip 1 – activation TV-free

Dip 2 – no function

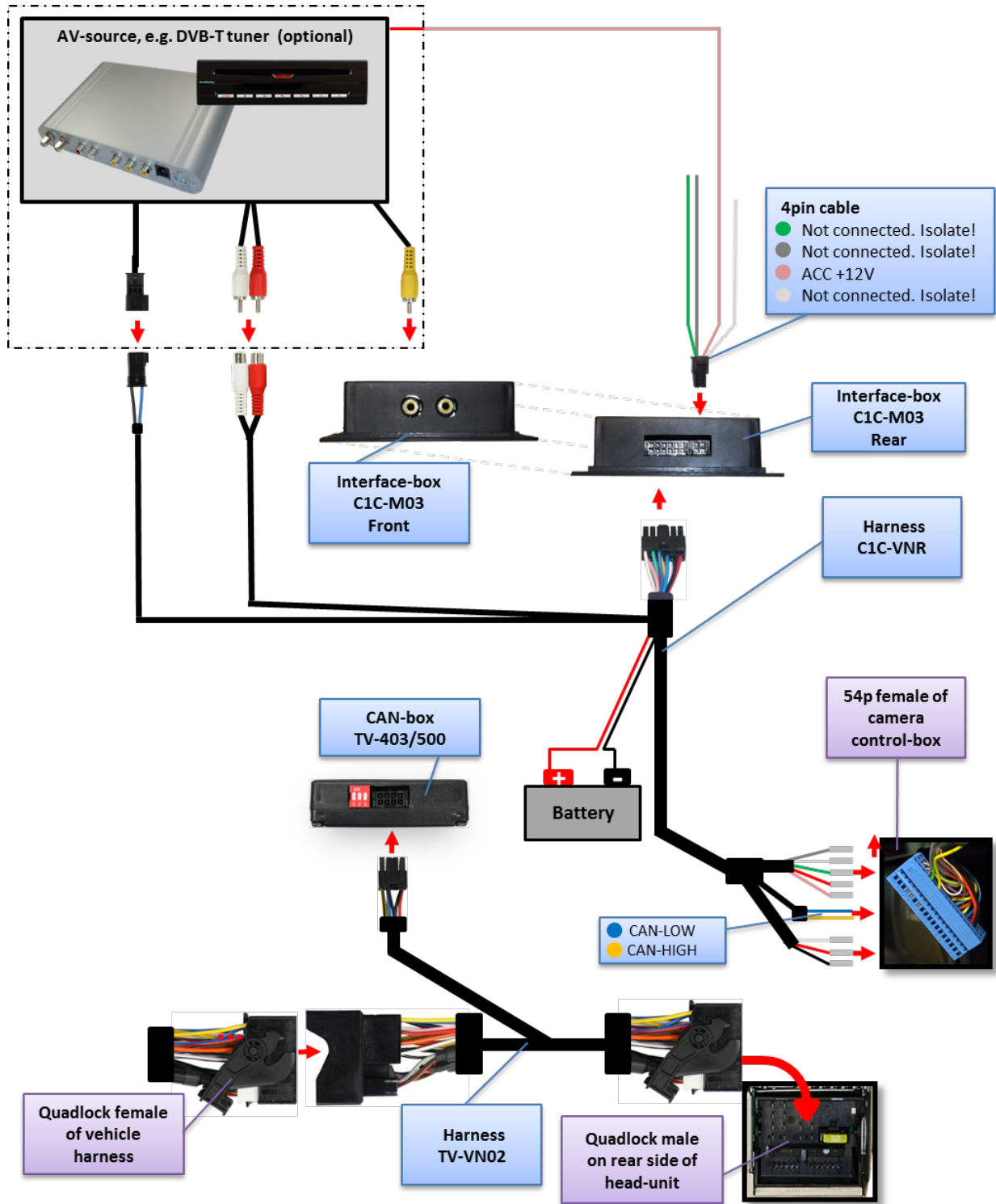
Dip 3 – no function

Dip 4 – no function

Dip 5 – CAN-bus termination resistor on the vehicle side

Dip 6 – CAN-bus termination resistor on the head-unit side

2. Connection schema



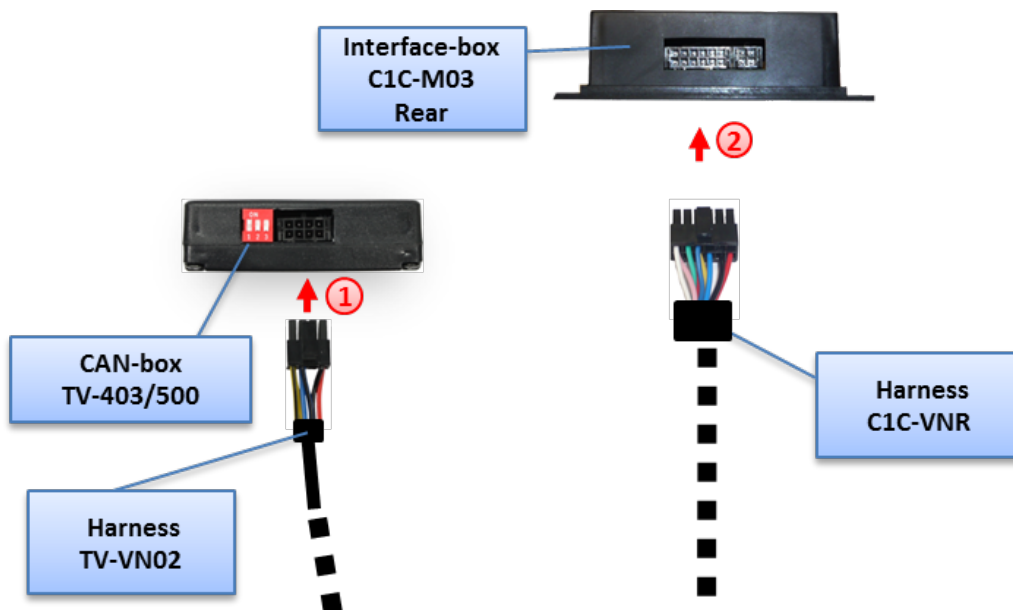
3. Installation

Switch off ignition and disconnect the vehicle's battery! If according to factory rules disconnecting the battery has to be avoided, it is usually sufficient to put the vehicle in sleep-mode. In case the sleep-mode does not show success, disconnect the battery with a resistor lead.

Place of installation is behind the head-unit and of the camera control-box which is depending on the vehicle located either underneath the passenger seat, underneath the center console or above the wheel case of the rear right or left tire (e.g. T5 underneath the passenger seat, Tiguan rear right, Alhambra rear left). The camera control box has a blue 54pin connector.

Hinweis: Es ist möglich, dass nach der Installation ein mehrfaches Umschalten auf das Kamerabild durch Einlegen des Rückwärtsgangs (zu Testzwecken) nicht möglich ist! In diesem Fall muss das Fahrzeug bis zu einer Geschwindigkeit von 25km/h bewegt werden, um die volle Funktionalität zu erreichen.

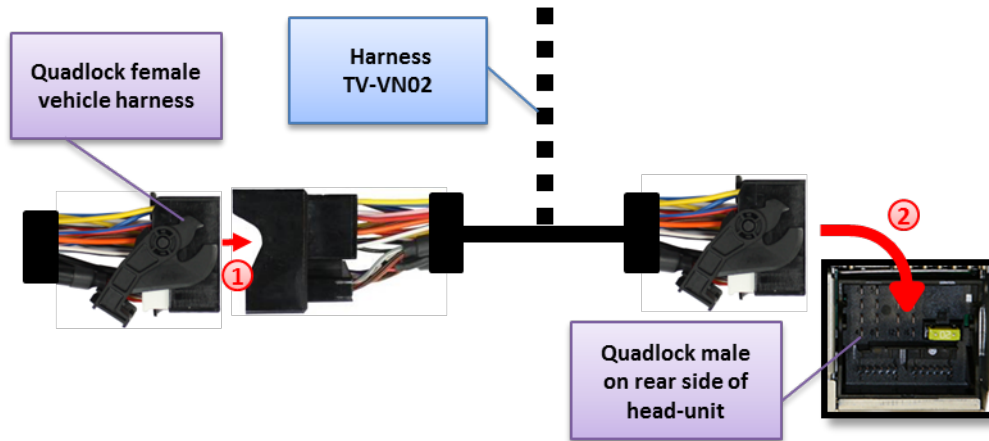
3.1. Interconnecting Interface-box, CAN-box and harness



- ① Plug harness TV-VN02 into 8pin Molex of CAN-box TV-403/500.
- ② Plug harness C1C-VNR into 12pin Molex of Interface-box C1C-M03.

3.2. Connections to head-unit

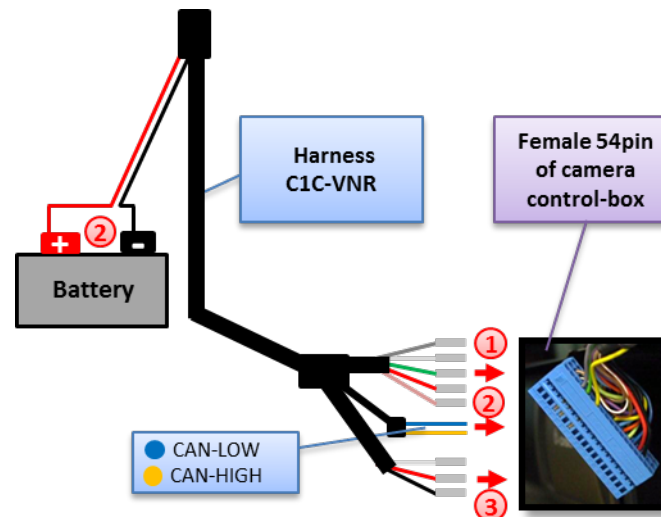
Remove the head-unit from the dash-board.



- ① Transfer female Quadlock connector from the back of the head-unit to male Quadlock connector of harness TV-VN02.
- ② Plug female Quadlock connector of TV-VN02 into male Quadlock socket of head-unit.

3.3. Connections to camera control-box

Locate the camera control-box which is depending on the vehicle located either underneath the passenger seat, underneath the center console or above the wheel case of the rear right or left tire (e.g. T5 underneath the passenger seat, Tiguan rear right, Alhambra rear left).



Signal	Colour	54pin
RGB signal - red	● red	Pin 17
RGB signal - green	● green	Pin 15
RGB Signal - blue	● pink or ● purple	Pin 13
RGB-Signal - sync	● white or ● orange	Pin 11
RGB-Signal - shield	● grey or ● black	Pin 9
CAN-High	● gelb (w/o contact)	Pin 40
CAN-Low	● blau (w/o contact)	Pin 39
Audio-signal - right	● red	Pin 5
Audio-signal - left	● white	Pin 7
Audio-signal - Ground	● black	Pin 4

- ① Plug the 5 MQS contacts of harness C1C-VNR into the female 54pin connector of the vehicle harness which is located at the camera control-box. Obey the upper blue part of the above pin-configuration table.
- ② Connect the loose yellow and the loose blue wire of C2C-VWR **additionally** to the corresponding wires of the female 54pin connector of the vehicle harness. Obey the grey part of the above pin-configuration table.
Connect the loose red and the loose black cable **not** to the corresponding wires of the female 54pin connector but to a separately power supply.
- ③ Plug the 3 MQS contacts of harness C1C-VNR into the female 54pin connector of the vehicle harness which is located at the camera control-box. Obey the lower blue part of the above pin-configuration table.

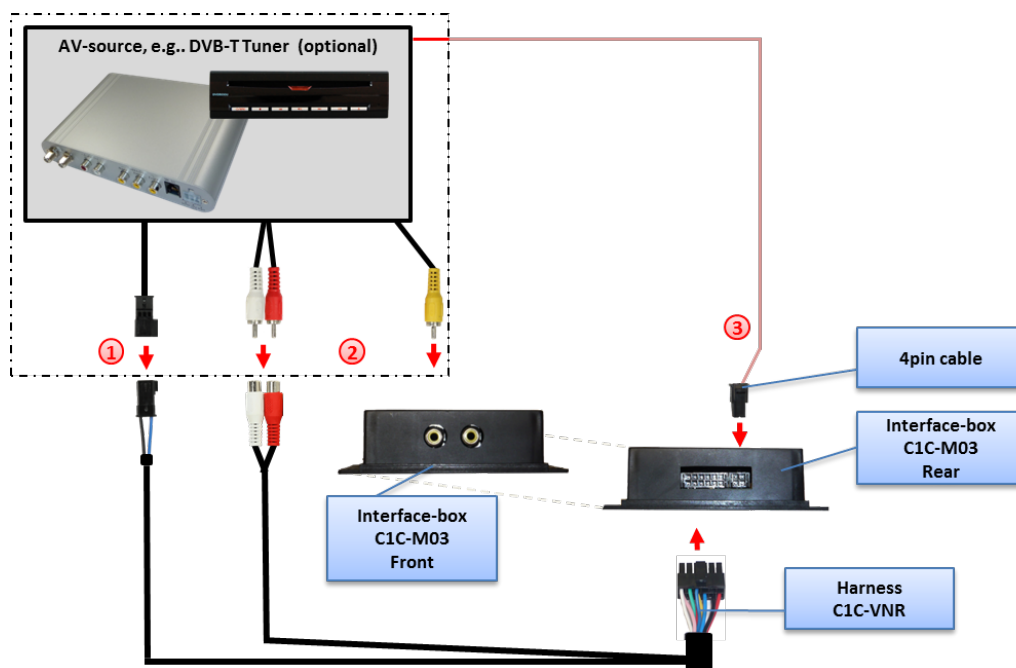
3.4. Connecting peripheral devices

It is possible to connect one after-market AV-source to the c.LOGiC Interface.

Before final installation of the peripheral devices, we recommend to test-run the c.LOGiC functions to detect incompatibility of vehicle, navigation, factory accessories or peripheral devices as soon as possible.

3.4.1. AV-source

The c.LOGiC interface has the possibility to connect and remotely control by navigation buttons one pre-programmed device. The device list in the device control table (Appendix A) shows the pre-programmed remote channels and the related IR-remote cables STA-xxx which must be ordered separately for the control of the device.



- ① Using the respective STA-xxx IR-control cable, interconnect the blue female 3pin AMP connector of harness C1C-VNR and the IR-port of the AV-source.
- ② Using an RCA-cable, interconnect the female RCA-port Video In of the Interface-box C1C-M03 with the AV-output of the AV-source.
- ③ The pink ACC-output wire (+12V max 1A) of the 4pin cable can be connected to the ACC-input wires of the connected device to switch it on. It carries +12V when the head-unit is running.

3.4.2. Installing AV-source's IR-sensor additionally

Additionally to the control via OEM navigation, it is possible to install the original IR-sensor of a connected device. By using the respective Y-adapter (e.g. STA-Y35MM or STA-RJ12) for the IR-Port of the connected device, the controls of navigation AND device's IR-sensor can be connected and used simultaneously. Installation of the IR-sensor is recommended as the controls via navigation are limited, and not all functions may be covered.

4. Operation

4.1. Activation of the video-in-motion function

TV-403

The video-in-motion function is activated permanently without disturbing the navigation performance.

Note: The loose white and green cable are not required and must be isolated.

TV-500

The video-in-motion can be activated and deactivated by Dip 1 or alternatively by the included loose green cable in connection with a switch (not included in delivery).

Video-in-motion permanent

With dip1 to ON the video-in-motion function is activated permanently without disturbing the navigation performance.

Video-in-motion selective

With dip1 to OFF the included green cable is used to activate the video-in-motion function.

Connect a switch to the green cable and connect the green cable to +12V ACC.

- +12V = TV-Free is activated
- 0V = TV-Free is not activated

Note: The loose white cable is not required and must be isolated.

4.2. Selecting the c.LOGiC as current AV-source

Push the **MEDIA** button of the head-unit and then select **VIDEO** to choose the c.LOGiC as current AV-source.



4.3. Assigning device control

After selecting the c.LOGiC as current AV source, tap on the touch-screen to receive the options menu. Select **Extras** and then **V-text**.

Select **Seite** (page).

Enter "1" followed by the device-related IR-code as described in device control table (appendix A). Confirm with **OK**.

Note: The IR-control channel is preset to RC-Code 41 compatible DVB-T tuners.



4.4. Remote functions

Remote functions can be executed by steering-wheel buttons, head-unit buttons and touch-screen.

4.4.1. Previous/next channel/track

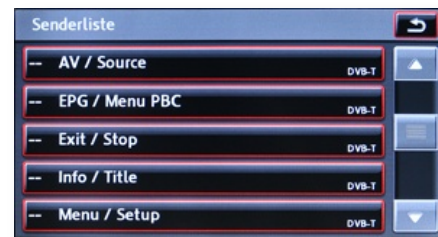
To skip to previous or next channel (TV-mode) or track (DVD/USB/iPod®-modes), use the arrow buttons in the upper left corner of the head-unit, the arrow touch-screen buttons or the UP and DOWN buttons of the steering-wheel.



4.4.2. Other remote functions

When AV1 or AV2 mode is activated, enter **Senderliste** (channel list). The menu which opens offers a range of commands for the active device.

The function description equals the remote control buttons of the additional device. On the additional device the writing may vary (e.g. AV instead of Source). Select any button to execute the described function on the active AV-source.



Note: The volume of an optional connected usbLiNK can be regulated by the right knob (possible only in the main menu).

4.4.3. Menu/setup navigation

To navigate through menu or setup options of the AV-source, it is necessary to see their picture/OSD, which is not possible in the **Senderliste** (channel list). Instead, after entering menu/setup, select **Extras** and then **V-Text**.


Now menu navigation is possible by the arrow buttons in the upper left corner of the head-unit (left/right) and touch-screen:

Arrow up = UP, Arrow down = DOWN
Stopp = back/return/exit
Zoom = OK/Enter

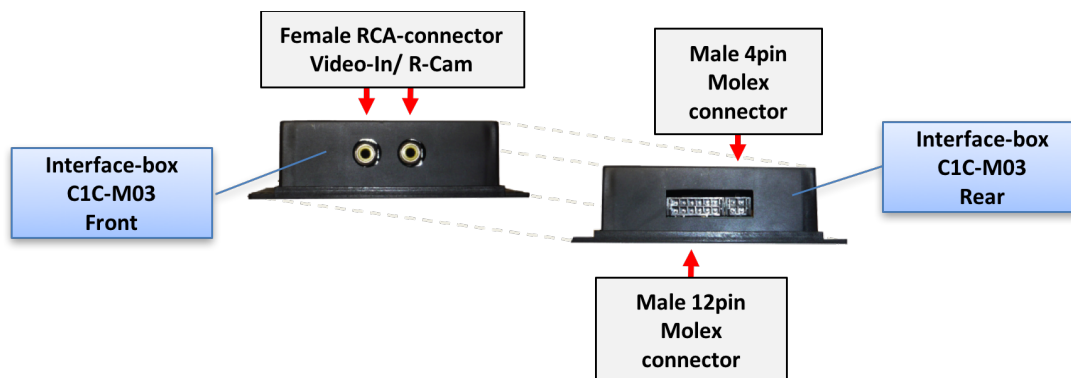


5. Specifications

Operation voltage	10.5 – 14.8V DC
Stand-by power drain	<1mA
Operation power drain	240mA
Power consumption	3W
Temperature range	-30°C to +80°C
Weight	95g
Measurements (box only) B x H x T	106 x 30 x 71 mm

CE  12V DC

6. Connections (Interface-box)



7. Technical Support

Caraudio-Systems Vertriebs GmbH
manufacturer/distribution
In den Fuchslöchern 3
D-67240 Bobenheim-Roxheim

email support@caraudio-systems.de

Legal disclaimer: Mentioned company and trademarks, as well as product names/codes are registered trademarks ® of their corresponding legal owners.